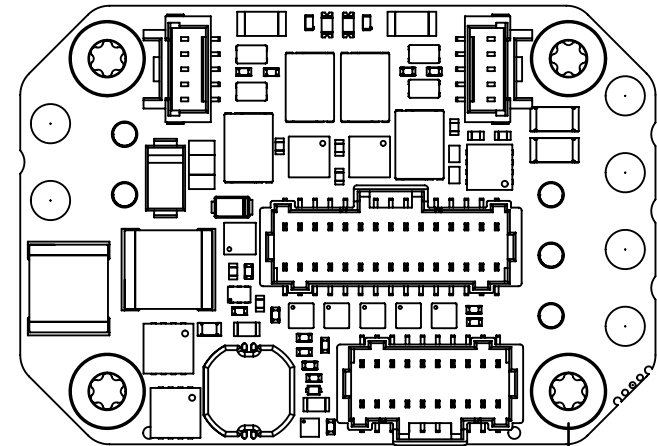
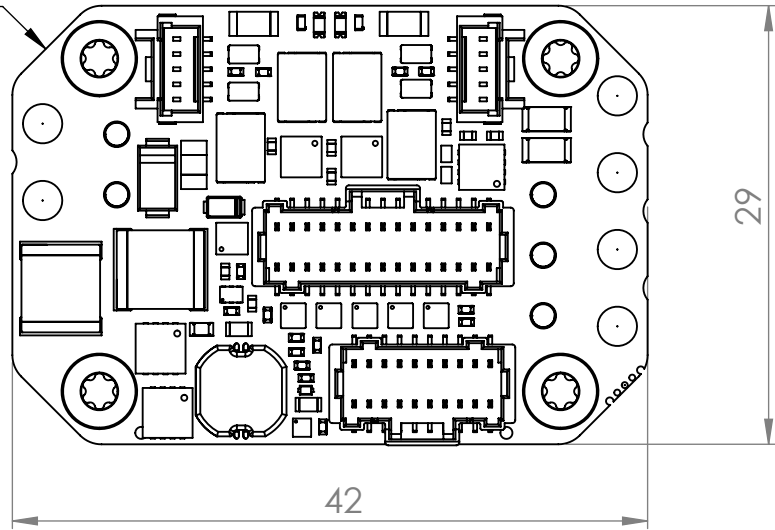
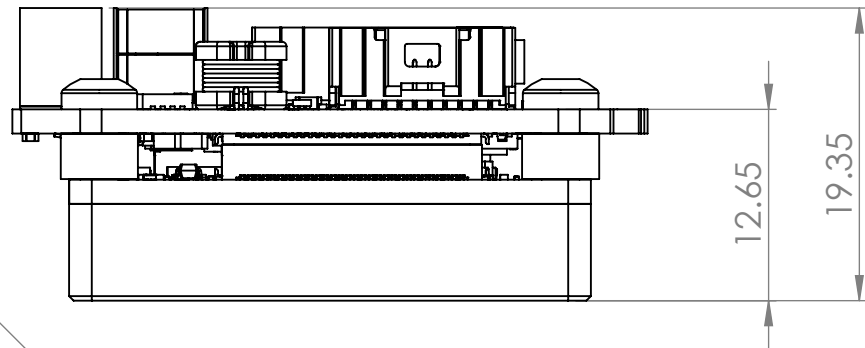


5.00 x 45°

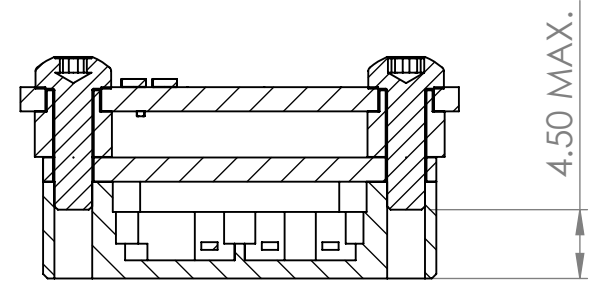
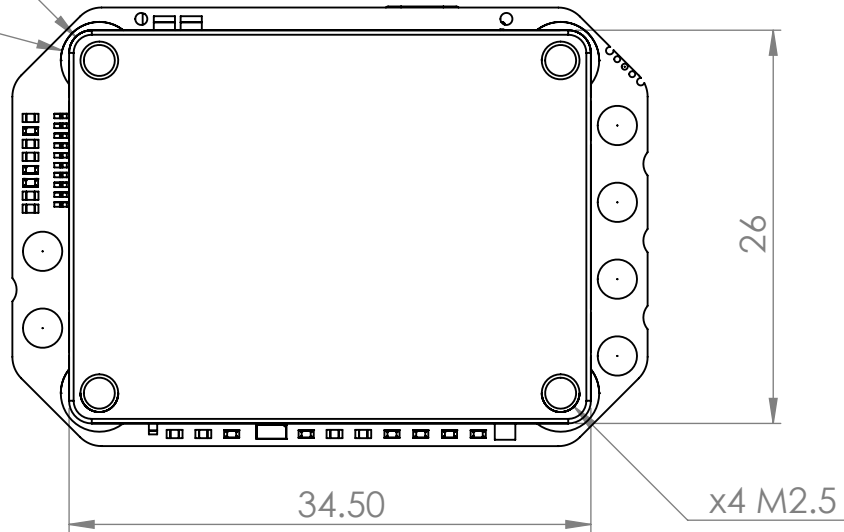


A



R1.50

R2.55



SECTION A-A